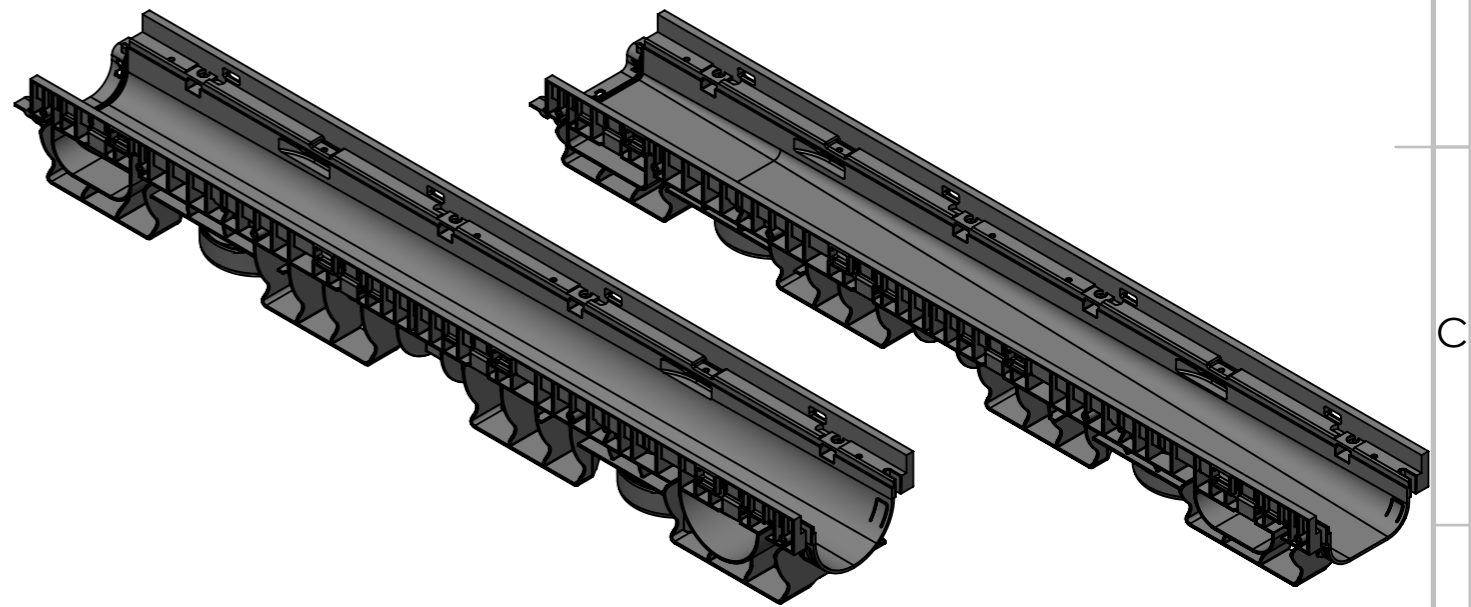


Item	Number channel in the line	Name	H, inch [mm]	h1, inch [mm] shallow invert	h2, inch [mm] deep invert	Weight, lb/kg
80061	0N	4" Base Neutral Channel H2.95" with a high board	3" [75]	-	1-5/8" [42]	2,60/1,18
80081-1	1	4" Base Slope Channel №1 with a high board	3-3/4" [95]	1-5/8" [42]	2" [50]	2,91/1,32
80091-2	2	4" Base Slope Channel №2 with a high board	4-1/8" [105]	2" [50]	2-3/8" [60]	3,15/1,43
80101-3	3	4" Base Slope Channel №3 with a high board	4-1/2" [115]	2-3/8" [60]	2-3/4" [70]	3,19/1,45
80101	3N	4" Base Neutral Channel H4.53" with a high board	4-1/2" [115]	-	2-3/4" [70]	3,32/1,51
80111-4	4	4" Base Slope Channel №4 with a high board	4-7/8" [125]	2-3/4" [70]	3-1/8" [80]	3,81/1,73
80121-5	5	4" Base Slope Channel №5 with a high board	5-3/8" [135]	3-1/8" [80]	3-1/2" [90]	3,99/1,81
80131-6	6	4" Base Slope Channel №6 with a high board	5-3/4" [145]	3-1/2" [90]	3-7/8" [100]	3,88/1,76
80141-7	7	4" Base Slope Channel №7 with a high board	6-1/8" [155]	3-7/8" [100]	4-3/8" [110]	4,03/1,83
80151-8	8	4" Base Slope Channel №8 with a high board	6-1/2" [165]	4-3/8" [110]	4-3/4" [120]	4,16/1,89
80151	8N	4" Base Neutral Channel H6.5" with a high board	6-1/2" [165]	-	4-3/4" [120]	4,62/2,10
80161-9	9	4" Base Slope Channel №9 with a high board	6-7/8" [175]	4-3/4" [120]	5-1/8" [130]	4,87/2,21
80171-10	10	4" Base Slope Channel №10 with a high board	7-1/4" [185]	5-1/8" [130]	5-1/2" [139]	5,07/2,30
80181-11	11	4" Base Slope Channel №11 with a high board	7-5/8" [195]	5-1/2" [139]	5-7/8" [148]	5,70/2,59
80191-12	12	4" Base Slope Channel №12 with a high board	8-1/8" [205]	5-7/8" [148]	6-1/8" [157]	5,79/2,63
80201-13	13	4" Base Slope Channel №13 with a high board	8-1/2" [215]	6-1/8" [157]	6-1/2" [166]	5,99/2,72
80201	13N	4" Base Neutral Channel H8.4" with a high board	8-1/2" [215]	-	6-1/2" [166]	5,84/2,56



1. Deviation of the actual weight of the nominal can be up to 8%
2. Dimensions for reference inch, [mm]

UNLESS OTHERWISE SPECIFIED: DIMENSIONS ARE IN MILLIMETERS SURFACE FINISH: TOLERANCES: ISO 2768-c LINEAR: ANGULAR:			FINISH:		DO NOT SCALE DRAWING		REVISION	
DRAWN PSM			SIGNATURE		DATE 13.12.23		TITLE:	
CHK'D PMK							4" Base Slope Channel №1-№13 with a high board	
APPV'D							Load class: C250	
MFG							ARTICLE:	
QA					MATERIAL: Plastic		A3	
					WEIGHT: -		SCALE: 1:5	
							SHEET 1 OF 1	