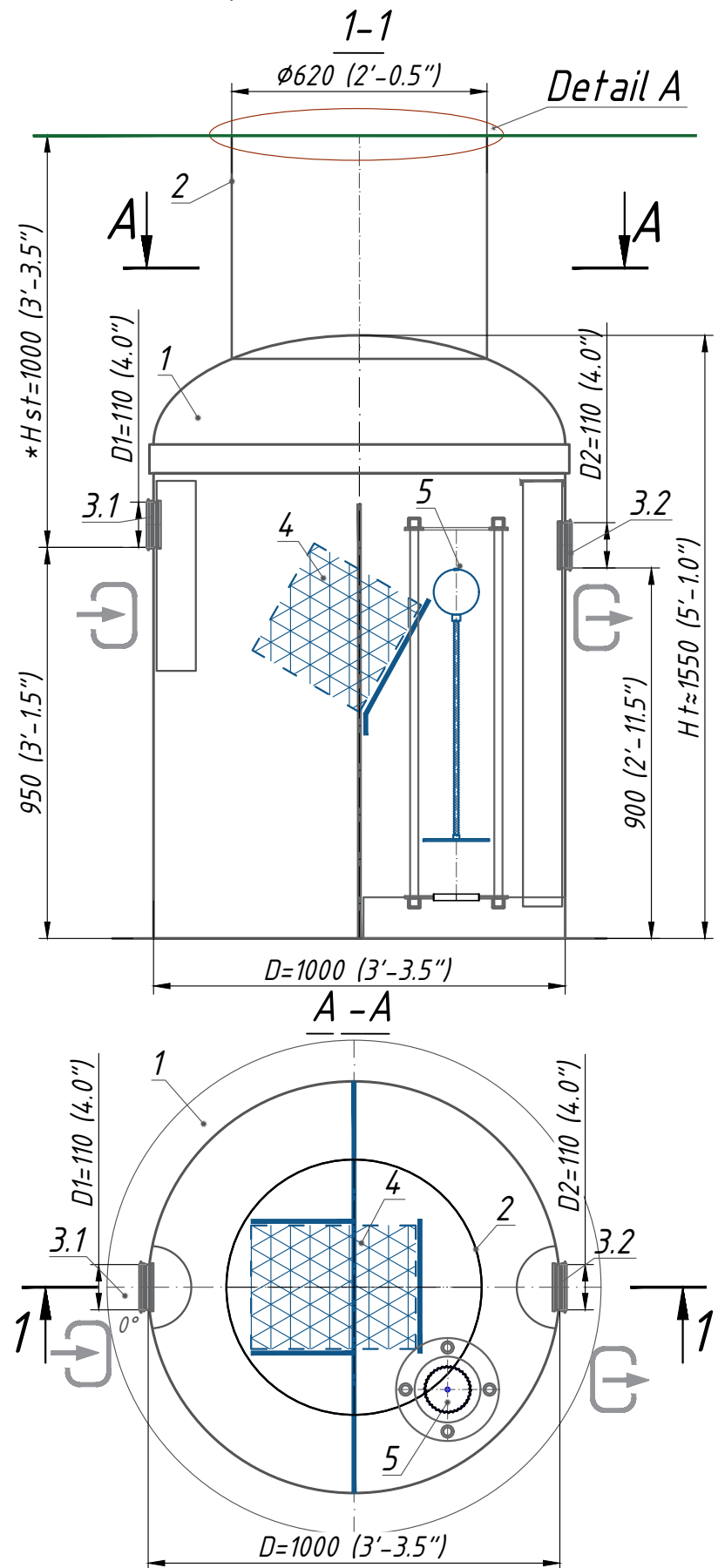


Oil and water Separator OilBase100 -2 (35) (S 1:16)



Specification of materials and equipment. Standard equipment ** (Tabl. 1)

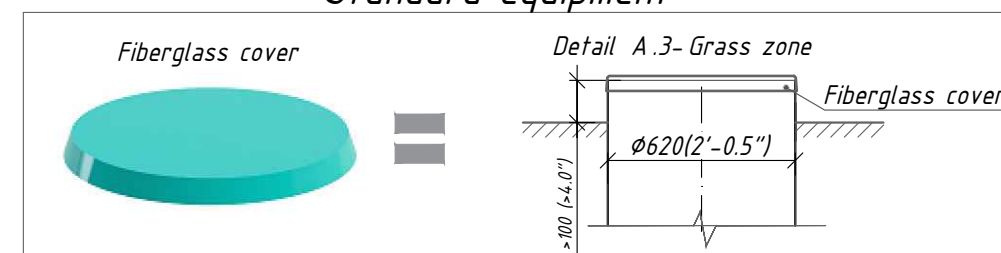
Pos.	Identification	Name	Q-ty	Mass pc.,kg	Note
1	Vodaland	Oil and water Separator Vodaland OilBase100 -2(35), disch. 2l/s or 35 gpm, (0 gpm -ByPass) fiberglass, D= 1000 (3'-3.5''), H t≈1550 mm (5'-1.0'')	1	92	compl.
2		Inspection manhole $\phi 620$ (2'-0.5'')	1		compl.
3.1,3.2	D1-Inlet / D2-Outlet	Rubber seal for connection $\phi 110$ (4.0'')	2		compl.
4		Coalescent block	1		compl.
5		Automatic locking device D110 (4.25'')	1		compl.
		Volume of light liquids	25		gal
		Volume of sludge trap	55		gal

**The product is shipped according to Standard Equipment (Tabl. 1), unless otherwise specified in the Additional Information

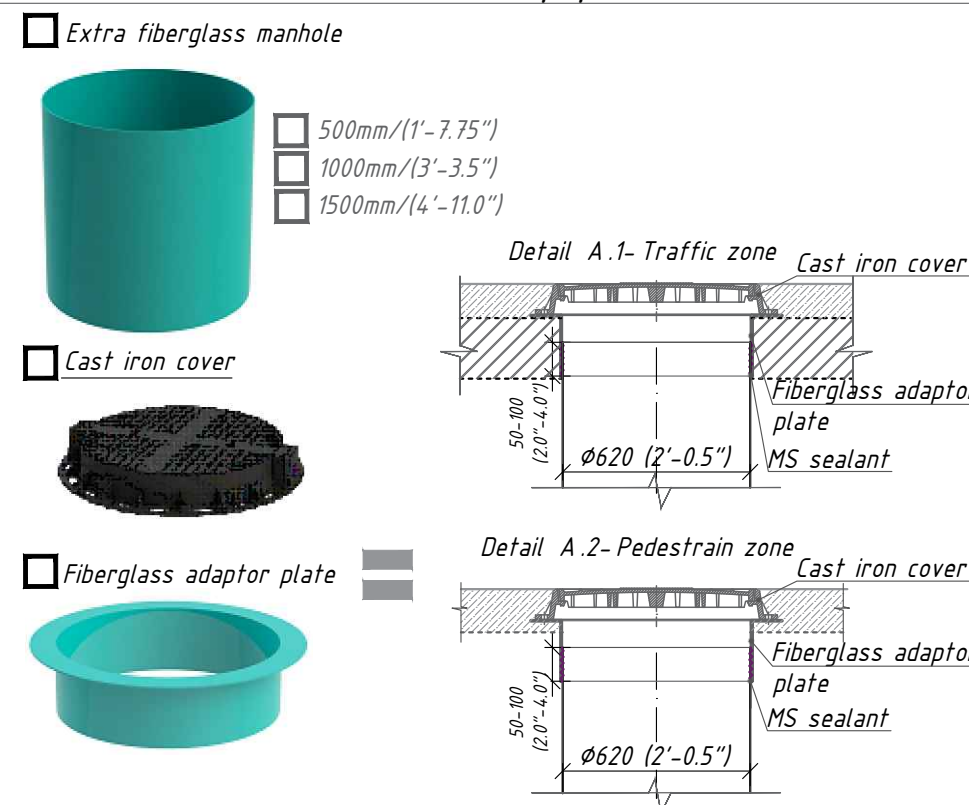
Oil and water Separator



Standard equipment



Additional equipment



Note:

- *H-depth of the inlet connection (in standard equipment H up to 1000 mm (3'-3.5'')). H take a multiple of 50mm(2.0'').
- **The product is shipped according to Standard Equipment (Tabl. 1), unless otherwise specified in the Additional Information. The complete set of the product is agreed with the manager.
- ***The manufacturer reserves the right to make design and schematic changes that do not impair the characteristics of the product as a whole. Permissible deviation during production of products is 1-3%.

Additional Information:

Oil and water Separator
OilBase100 -2 (35)

Factory ID: OB1-2

Vodaland Canada Inc. 5900 Ambler Drive, Unit 1 & 2, Mississauga, ON L4W 2N3 +1 (905) 238 1771

